

GANGING TABLE MOUNTING

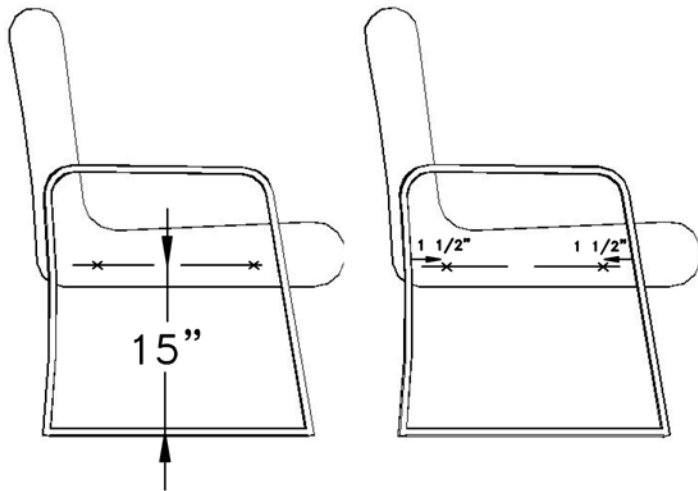
Hardware Included:

- (6) #8x3/4" Woodscrews
- (4) Mounting Plates
- (4) L-shaped Mounting Brackets

Tools Required:

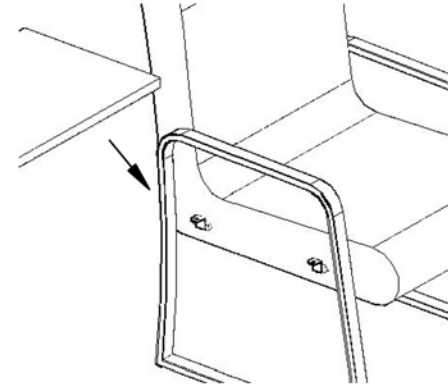
- Tape Measure
- Chalk or Marker
- Screw Driver (Sq. or Phillips Head)

STEP 1: Locate chairs in room as desired. Once located, use tape measure and marker/chalk, to mark side of chairs 15" above floor and 1 1/2" from arms.



STEP 2: Once marked, attach mounting plates to chairs using (2) #8X3/4" screws for each plate.

STEP 3: Insert L-shaped mounting brackets in previously attached mounting plates and carefully rest table top on top of the mounting brackets. Once in position, with chairs pushed firmly against the sides of the table, mark the location on the bottom side of the top to attach brackets with remaining (4) #8X3/4" screws.



STEP 4: Once marked, remove top, place on a protected surface and attach brackets. Place fully assembled top back on to mounting plates.

