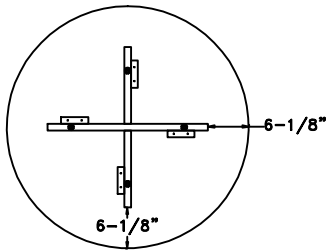


ROUND & OCTAGONAL CONFERENCE TABLE ASSEMBLY INSTRUCTIONS

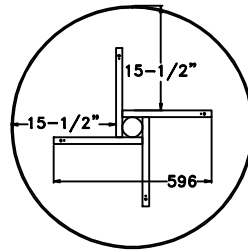
TURN TOP FACE DOWN ON A PROTECTED SURFACE.
MOUNT BASE TO TOP IN SPECIFIED LOCATION SHOWN BELLOW WITH SCREWS PROVIDED.
TURN TABLE UPRIGHT AND LEVEL AS NEEDED.



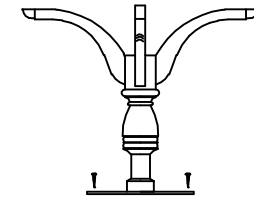
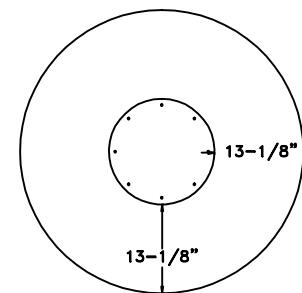
36" ROUND WITH X-BASE



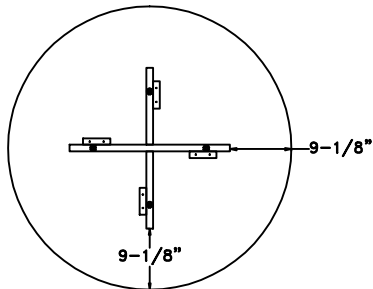
36" ROUND WITH METAL BASE



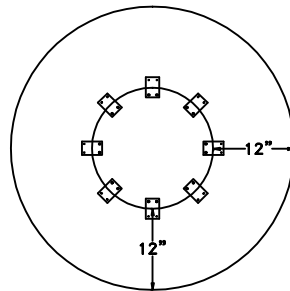
42" ROUND WITH QUEEN ANNE BASE



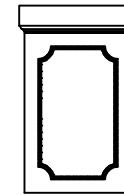
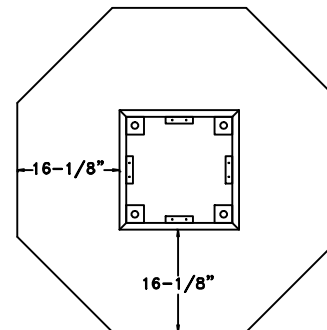
42" ROUND WITH X-BASE



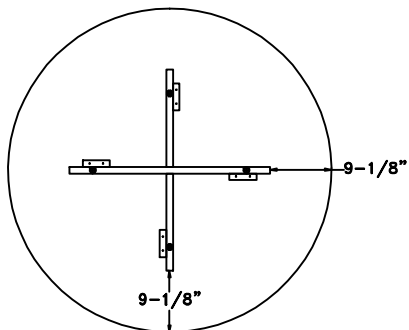
42" ROUND WITH CYLINDER BASE



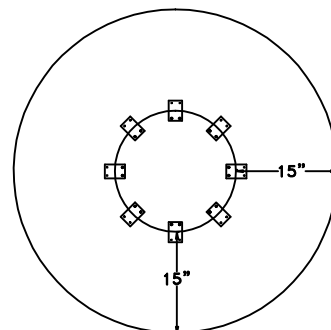
48" OCTAGON WITH SQUARE BASE



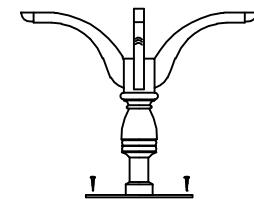
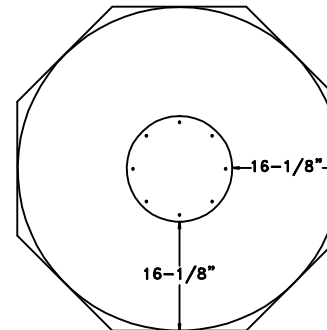
48" ROUND WITH X-BASE



48" ROUND WITH CYLINDER BASE



48" OCTAGON OR 48" ROUND WITH QUEEN ANNE BASE



DRAWN BY, DONALD R TYLER
ROUNDTABLE