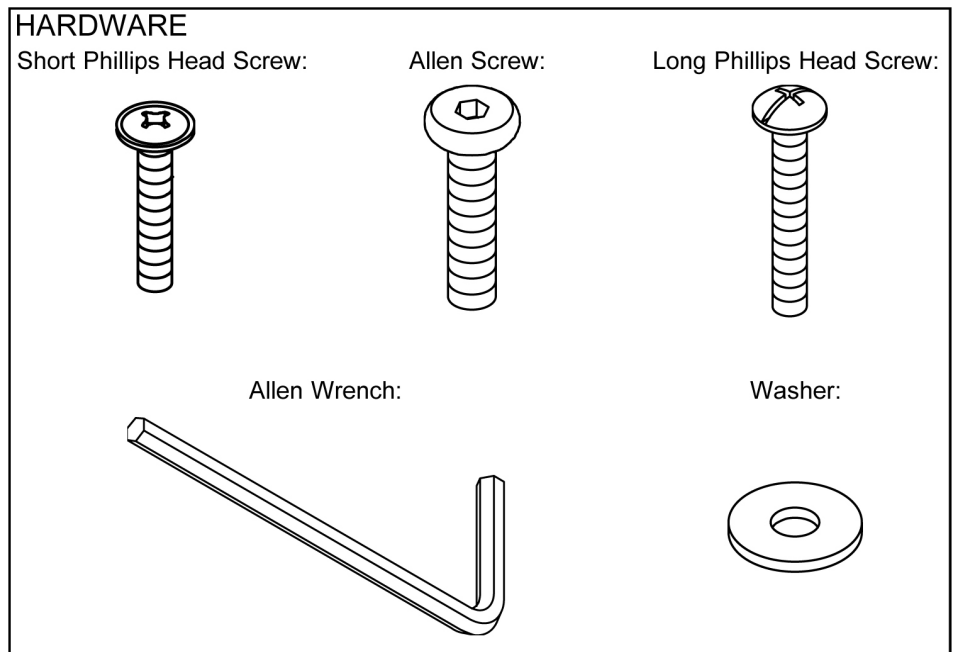
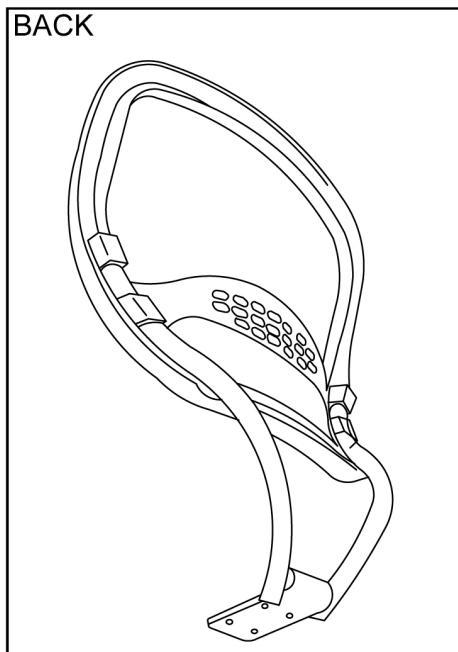
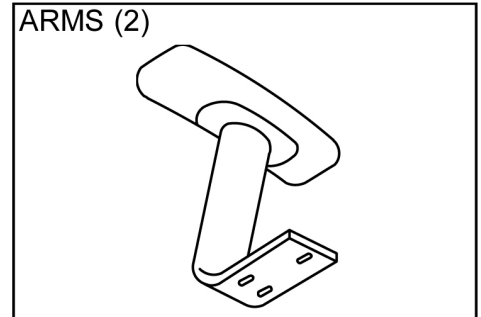
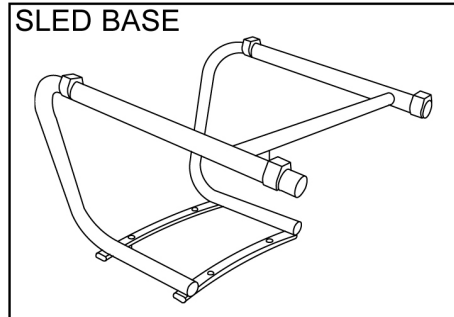
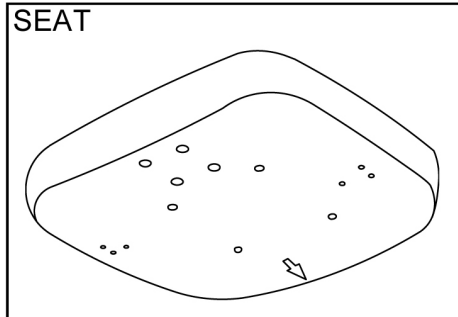
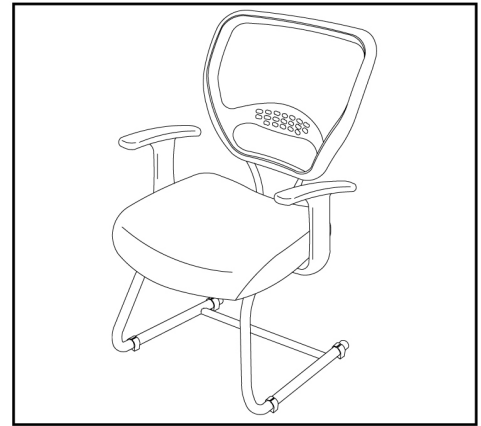




Nexstep Model 759 Parts List



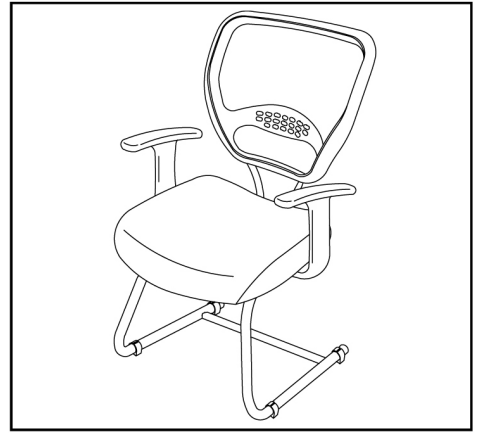
1. This chair was designed to seat and support only 1 person.
2. All bolts, screws and knobs must be securely tightened prior to use.
3. Check that all bolts, screws and knobs are tight every 3 months or as needed.
4. Take care not to overtighten the back tilt knob when increasing or decreasing tilt tension.
5. Responsibly dispose of packing materials. The plastic covering should not be used as a toy or a head covering as suffocation may result.
6. Only use this chair for its intended purpose. Do not use as a step ladder.
7. Use a mild detergent for cleaning.

Goes Great with Work.®

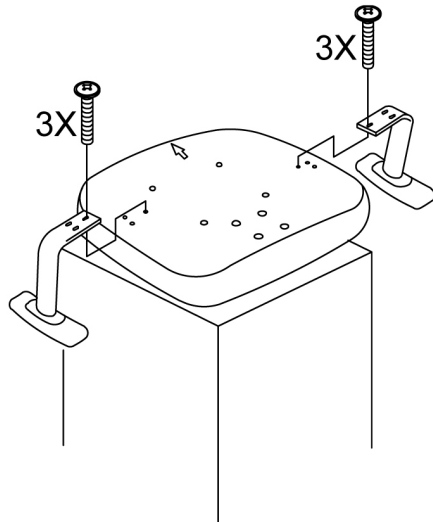




Nexstep Model 759 Assembly Instructions



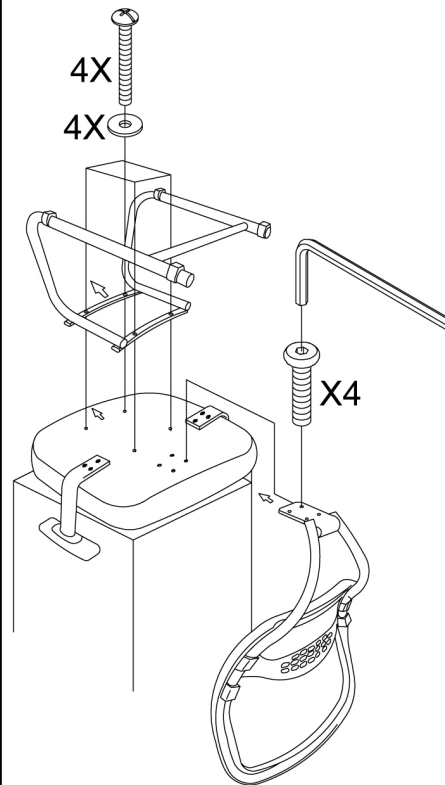
Attach Arms to Seat Cushion using Six Short Phillips Head Screws.



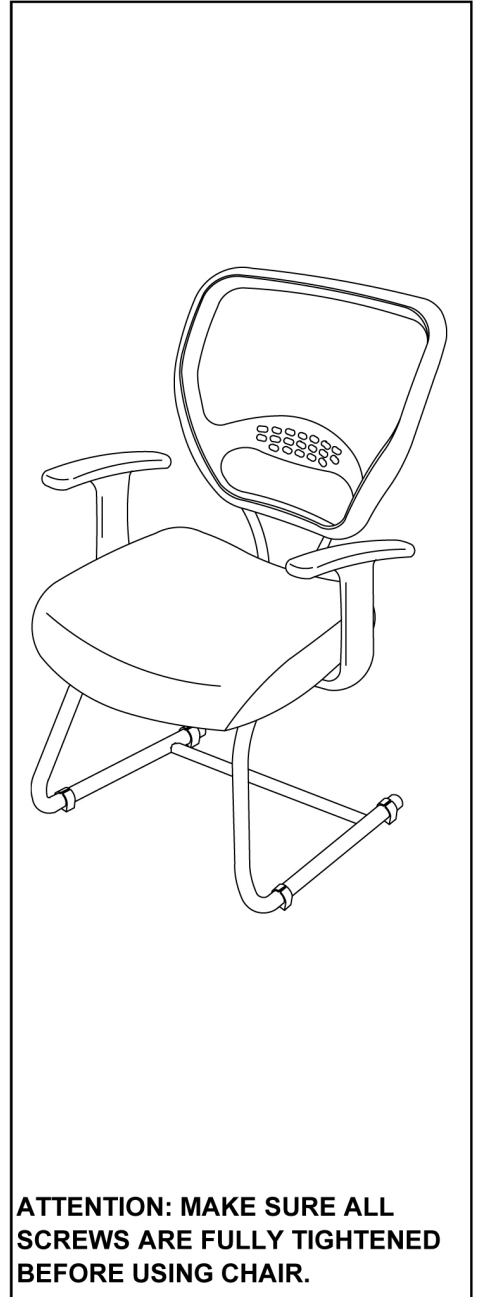
FULLY TIGHTEN ALL SCREWS.

Insert Back Assembly to Seat Assembly with the arrow point towards the front of the chair, using Four Allen Screws. **FULLY TIGHTEN SCREWS USING ALLEN WRENCH.**

Attach Sled Base to Seat Assembly using Four Washers and Four Long Phillips Head Screws.



FULLY TIGHTEN ALL SCREWS.



ATTENTION: MAKE SURE ALL SCREWS ARE FULLY TIGHTENED BEFORE USING CHAIR.

If you have any difficulty with this installation/assembly, please contact our Customer Service department at 1-800-447-3462, ext. 2120.