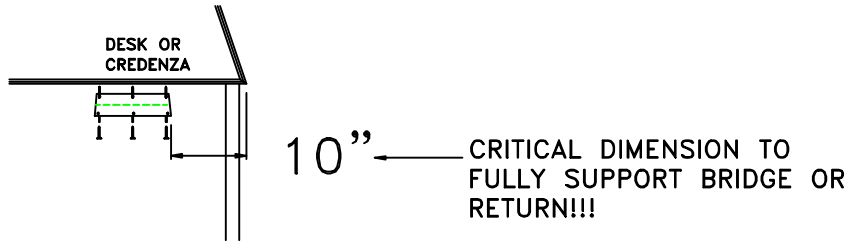


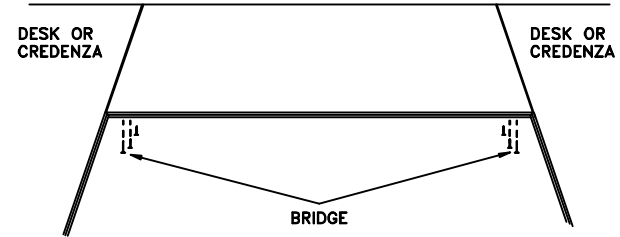
INSTRUCTIONS FOR BRIDGE ASSEMBLY AND INSTALLATION

HYPERWORK(HW), ATLAS(A1), BRAVO PANEL(BP), FULL RADIUS(FR), WYNDHAM(WY), VITALITY(VT)

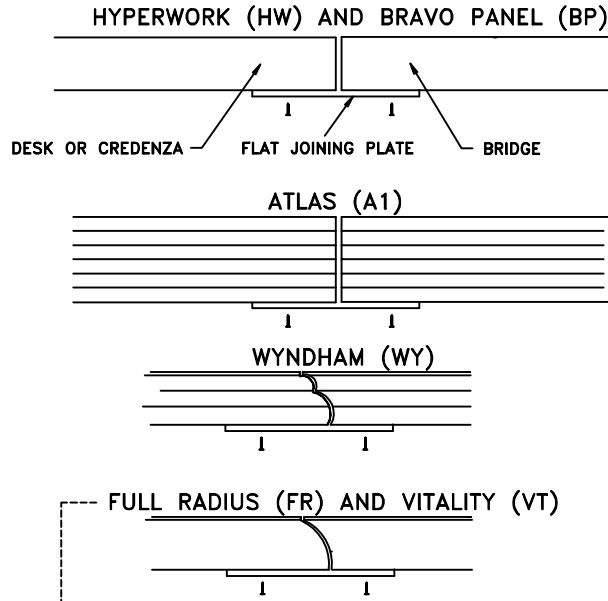
1. ATTACH FLAT JOINING PLATE TO THE UNDERSIDE OF THE DESK AND/OR CREDENZA, 10" FROM CORNER OF TOP AS SHOWN. SECURE THIS PLATE USING (3) #8 X 3/4" SCREWS PROVIDED.



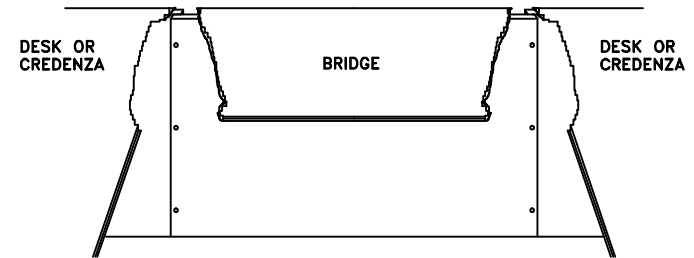
3. ALIGN TOPS AND SECURE USING INCLUDED (3) - #8 X 3/4" SCREWS EACH FLAT PLATE.



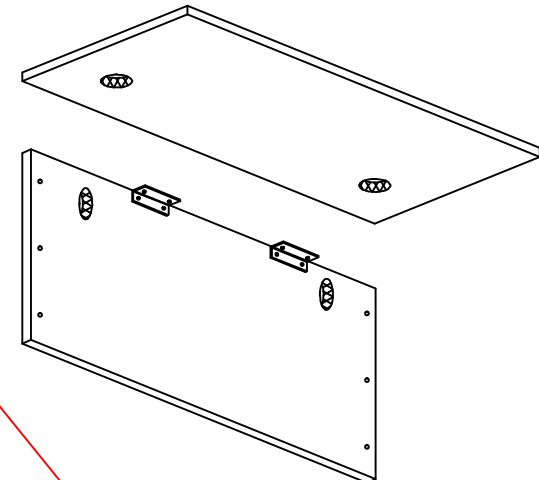
2. POSITION TOP ONTO MOUNTING PLATE OF DESK & OR CREDENZA. MAKE SURE TOPS ARE FLUSH WITH EACH OTHER WITH NO CRACKS. SCREW THE OTHER (6) #8-3/4" SCREWS INTO FLAT PLATES.



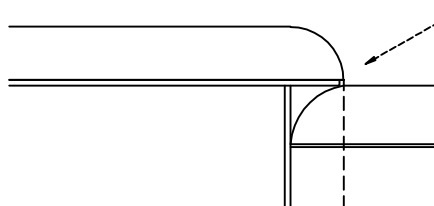
4. LEVEL ALL CONNECTING UNITS AND SECURE BRIDGE MODESTY PANEL TO END PANELS OF DESK AND, OR CREDENZA OVERLAPPING EACH END PANEL EQUALLY. USE THE (6) #8- 1-1/2" SCREWS PROVIDED.



5. SECURE BRIDGE MODESTY PANEL TO BRIDGE TOP USING, THE (2) METAL ANGLE BRACKETS & (8) #8- 3/4" SCREWS PROVIDED.



TOP VIEW FULL RADIUS. NOTICE OFFSET OF TOPS!!!




HPFI
WWW.HPFI.COM